

F5503

100



: 100 : 160 : 1,6% (EN), : 1 %

IP65, 100, IP66

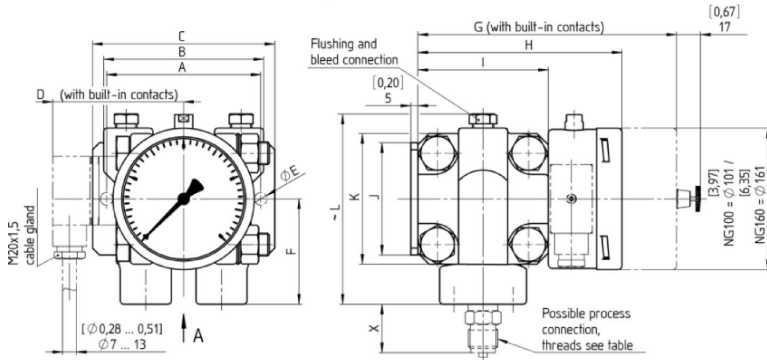
0 ... 40 : 0 ... 40



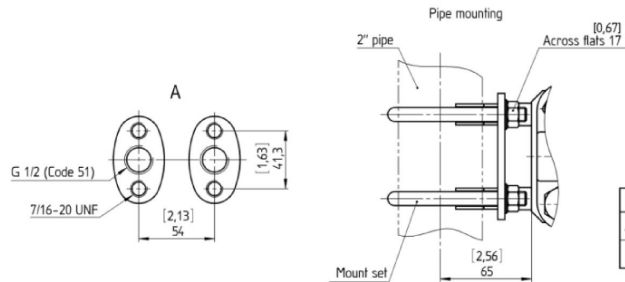
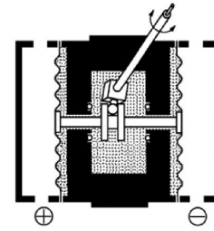
		F5503	
		100	160
()			
()	()	40 60 100 160 250 400 0,6 1 1,6 2,5 4 6 10 16 25 40 100	
		DIN EN 61518 G 1/2 ()	
		G 1/4 B, G 1/4, G 1/2 B, 1/4 NPT, 1/4 NPT, 1/2 NPT, 1/2 NPT,	
		G	
		316L (1.4404), 316L (1.4404), ≤ 400 316Ti (1.4571), > 400 Duratherm 2.4781 (NiCrCo alloy), 304 (1.4301),	C-276 C-276, - Viton, C-276 C-276 (4 1,6% (EN)) 316L (1.4404)
		1,6 (1,6 % F.S.),	1 % 0,5 % ASME B40.1
		-20 ... 80 °C . 85 °C -40 ... 60 °C . 0,3 % / 10 K	
RL2014/34/EU X		CE Ex II 2 GD c 95 °C IP65 (Ta -20 °C ... +60 °C)	
EN 60 529/IEC 529		IP65, IP66 / NEMA 4X ()	
		, 2" (≤ 400 mbar),	
(/) () ≤ 400 ≥ 600		9/9,5 4/4,5	9,4/10 4,5/5
		(55)	

()

Max. static pressure PN100



Measuring principle



Threads	Code	Material S	Material HH
1/4-18 NPT male; DIN EN 837	02	33 [1,30]	33 [1,30]
1/2-14 NPT male; DIN EN 837	04	36 [1,42]	36 [1,42]
G 1/4 B male; DIN EN 837	13	25 [0,98]	25 [0,98]
G 1/2 B male; DIN EN 837	15	32 [1,26]	32 [1,26]
M20x1,5 male; DIN 3852 part 1	16	32 [1,26]	32 [1,26]
1/4-18 NPT female	25	25 [0,98]	25 [0,98]
G 1/4 female; DIN EN 837	27	15 [0,59]	15 [0,59]
1/2-14 NPT female	50	0	25 [0,98]

	A	B	C	D	E	F	G	H	I	J	K	~ L	M	(N)
40 + 400 mbar	[5,20] 132	[4,25] 108	[5,98] 152	[4,72] 120	[0,35] 4 x Ø 9	[3,94] 100	[9,43] 239,5	[7,62] 193,5	[5,55] 141	[3,15] 80	[5,55] 141	[7,11] 181	[2,36] 60	[2,78] 70,5
0,6 + 40 bar	[4,33] 110	[4,49] 114	[5,12] 130	[3,54] 90	[0,35] 2 x Ø 9	[2,95] 75	[7,26] 184,5	[5,73] 145,5	[3,66] 93	[3,15] 80	[3,66] 93	[5,33] 136	-	[1,83] 46,5

(100) 100	(S) 316L (1.4404)	(=)	(27) G 1/4"	(L)	0/40 0/ 60 0/100 0/160 0/250 0/400	()	(=)	(NH) (6B)
(160) 160	≤ 400 316Ti (1.4571), > 400 Duratherm	(L)	(04) 1/2" NPT (13) G 1/4" B (15) G 1/2" B (25) 1/4" NPT (50) 1/2" NPT (51) G 1/2"		0/0,6 0/1 0/1,6 0/2,5 0/4 0/6 0/10 0/16 0/25 0/40	()	() (G1.K55/E)	() (YW) 316L (1.4404) (PT) PTFE (AN) 1% ¹⁾²⁾ (AJ) 0,5% ¹⁾ (CS) (DA) (FW) (TM) 2" (LJ) (ATEX) ATEX (C3) 10204 3.1 (C4)
	(SH) 316L (1.4404) C276 (HH) C276 (SM) 316L (1.4404) () ≥ 0,6)							

100 F5503 S = 51 L 0/40 mbar = NH